

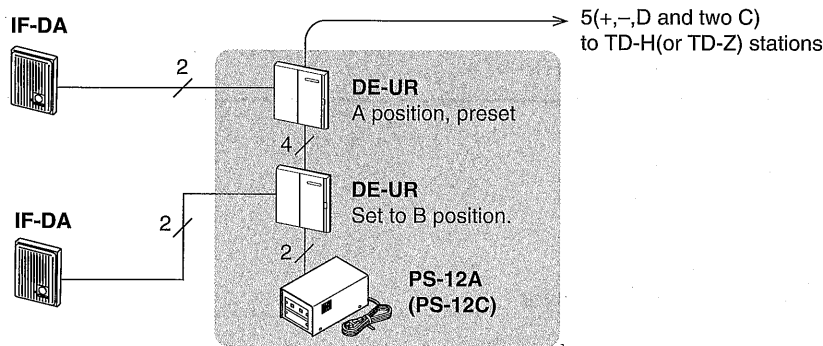
TD Series
DOOR STATION ADAPTOR

Model: **DE-UR**

INSTALLATION & OPERATION MANUAL

1 SYSTEM OUTLINE & COMPONENTS

DE-UR is an adaptor that can add a door station, audio or PanTilt video to TD Phone Selective Call Intercom.



Package contents

- Door station adaptor (DE-UR)
- Packet of screws
- Installation & Operation Manual

★TD-H or TD-Z system is powered by a PS-12A (PS-12C), which should be located in the middle point of cable run. Install a DE-UR(s) near the power supply.

Components available

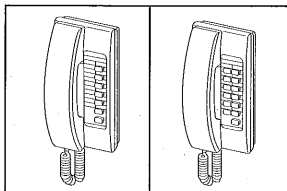
* Intercoms

TD-H Series: TD-3H/B, TD-6H/B, TD-12H/B & TD-24H/B. (TD-H/A Series also)

TD-Z Series: TD-6Z/A & TD-12Z/A loop-wired. Audio door station only.

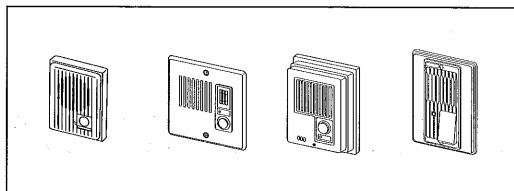
Intercom

TD-6H/B TD-12Z/A



Audio door stations

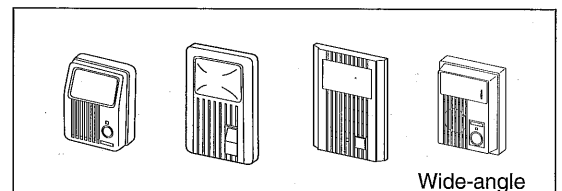
IF-DA IE-JA IE-DC IE-NC



Others : IE-FY (not available in USA)

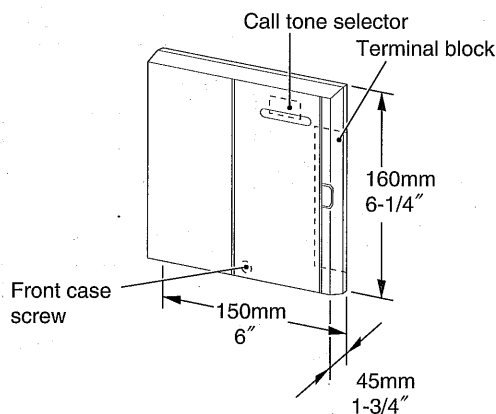
Video door stations

MY-CA MY-DC MY-FA MY-DS



Others : MY-DG, MY-EA
It can be a combination of MY-CA (in MYW-CA enclosure) and IF-DA.

2 NAMES AND FEATURES



For TD-H to have 2 door stations, DE-UR employs a switch (preset to A) to change slow intermittent tone to faster intermittent tone.

Features

- * Surface-mount with 83.5mm, 3-5/16" guide.
- * Call tone modulating circuits, 2-1/2-sec. timed.
- * Powered by using system's PS-12A/12C power supply.
- * Includes door release control terminals.

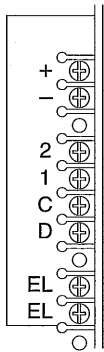
3 PRECAUTIONS ON INSTALLATION & WIRING

! CAUTION

- ★ Do not connect any terminal on any unit to AC power lines.
 - ★ Unplug all power supplies while making wiring connections on any audio and video equipment.
 - ★ DE-UR is an adaptor for indoor installation only. Follow precautions as stated in the Manuals packed with TD-H and MY-CU monitor.
 - ★ Locate DE-UR unit(s) closely to power supply PS-12A (PS-12C) of TD-H or TD-Z system, so as to be fed DC12V from it.
 - ★ Wiring to EL-9S door release must run in a separate jacketed cable and apart from intercom wiring.
- Before installing DE-UR, the contents of this Manual must be thoroughly read and understood.

4 WIRING

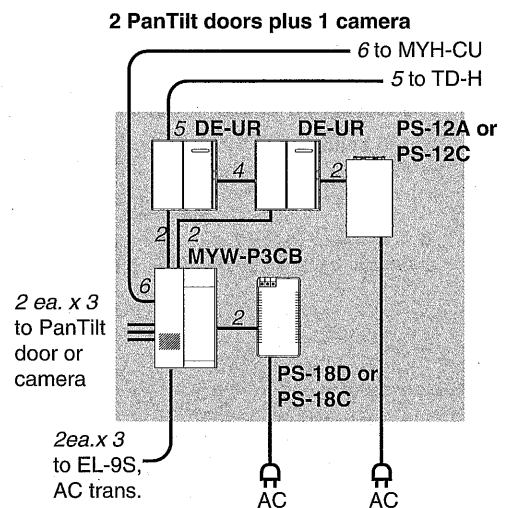
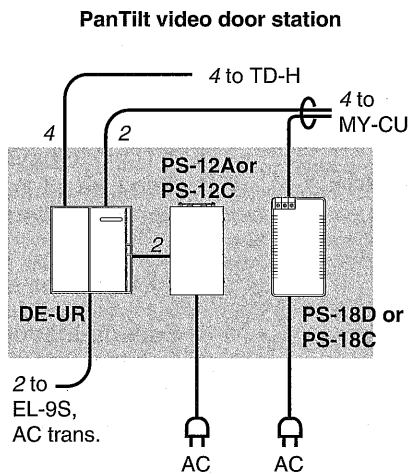
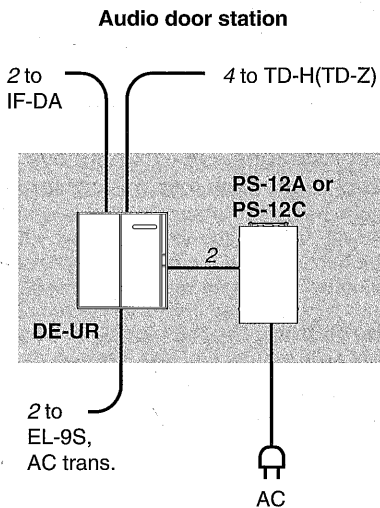
■ Terminal block layout



- +, - : 12V DC power
- 1, 2 : Door station connection
- C : Selective communication from TD-H/TD-Z masters
- D : Call-in tone to TD-H masters (or TD-Z)
- EL, EL : Dry closure contact for door release

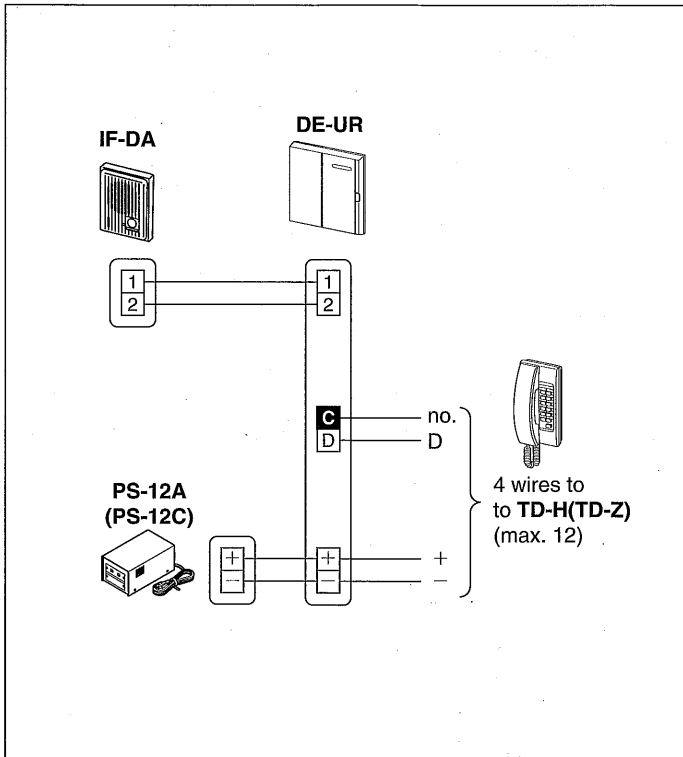
■ DE-UR & power supply location

It is suggested to mount a DE-UR unit(s) in a recessed area, together with power supply PS-12A (PS-12C) and video adaptor, etc. Select a location that allows limited access only by qualified personnel, and is dust-free environment possible.

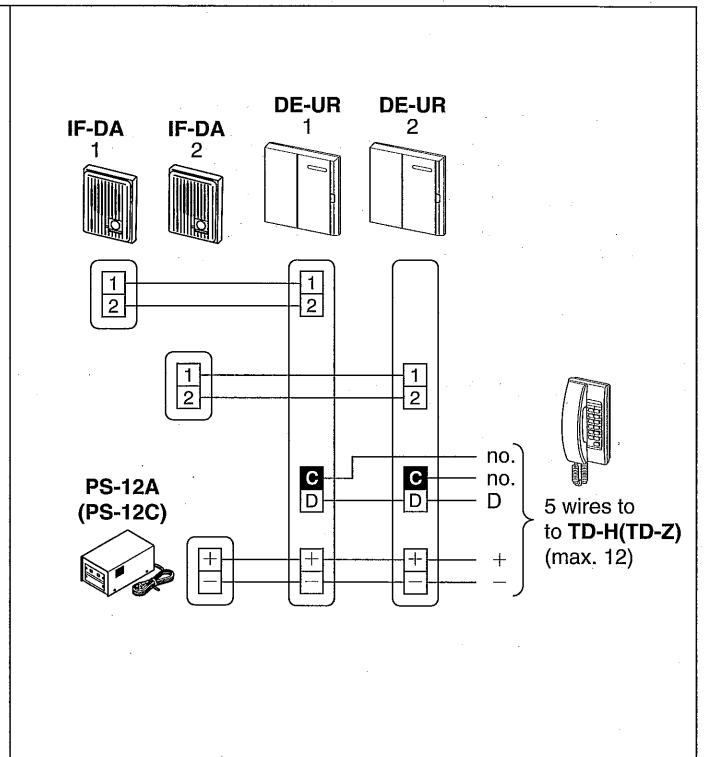


■ **Wiring**

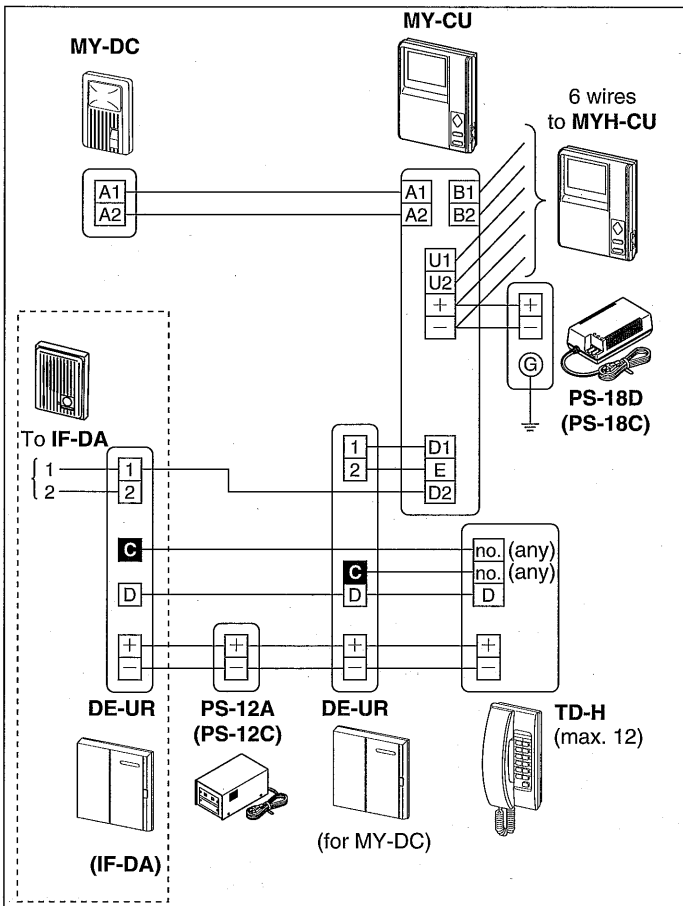
1. One audio IE/IF Series



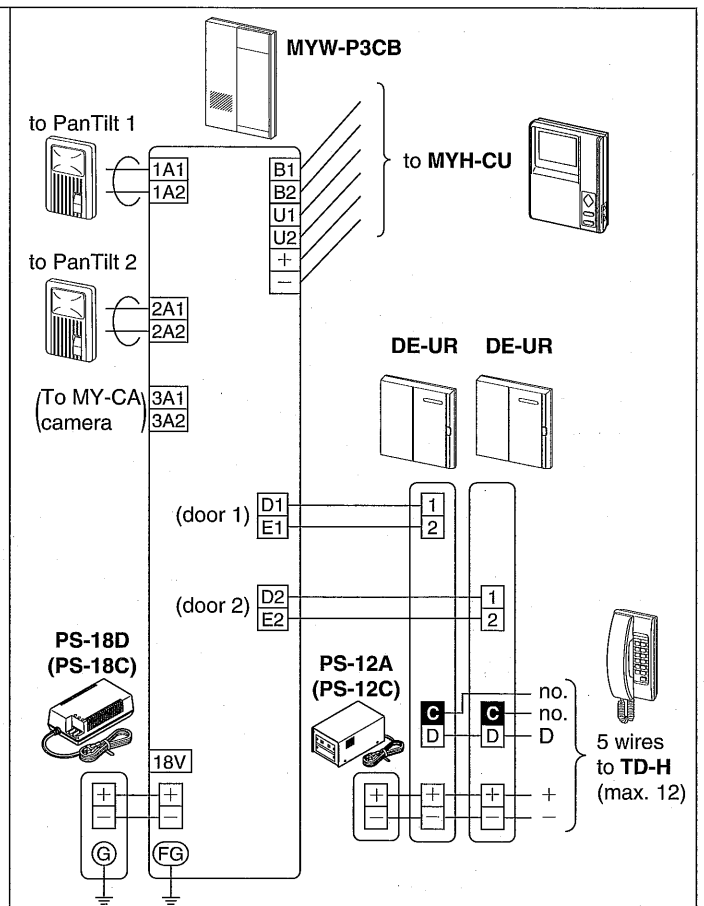
2. Two audio IE/IF Series



3. One PanTilt MY Series (plus one audio)



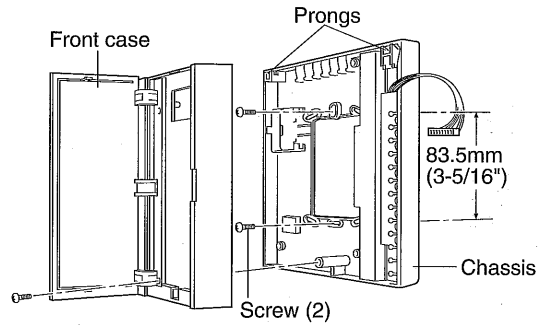
4. Two PanTilt MY Series



5 MOUNTING

DE-UR chassis, after separated, mounts with 83.5mm, 3-5/16" guide.

1. Opening the cover, loosen the bottom screw.
2. Lift front case off the prongs of chassis, and disconnect DE-UR.
3. Mount the chassis to wall or board at 2 points.
4. Make wire terminations for each door station, TD-H station, and PS-12A(12C) power supply.
5. Reconnect and mount DE-UR front case to chassis.



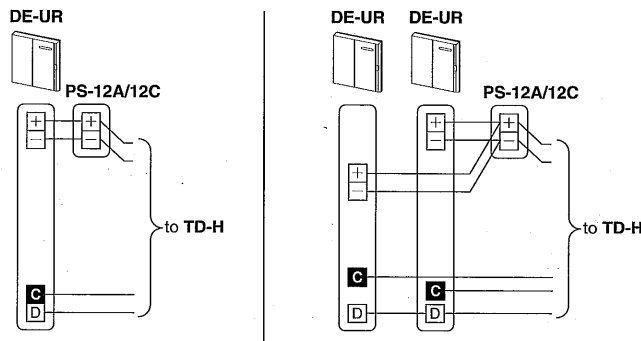
6 SPECIFICATIONS

- * **Power source:** DC 12V, supplied by a power supply PS-12A (PS-12C) of TD-H (TD-Z) system.
- * **Current consumption:** 120mA max.
- * **Call tone:** Intermittent tremolo, 2-1/2-timed

* **Wiring:**

To audio IE/IF door	2 conductors (parallel)
To TD-H/B stations	4 conductors (D, C and +, -)

★ DE-UR must be fed 12V DC from PS-12A (PS-12C) or via near DE-UR. See page 2.



* **Wiring distance:**

From DE-UR to door station

Diameter	0.65mm	0.8mm	1.0mm
Distance	150m	230m	360m
AWG	22AWG	20AWG	18AWG
Distance	500'	750'	1,200'

From DE-UR to PS-12A/12C

Diameter	0.65mm	0.8mm	1.0mm
Distance	10m	15m	20m
AWG	22AWG	20AWG	18AWG
Distance	30'	50'	65'

- * **DE-UR EL, EL terminals capacity:** DC 30V, 1A or AC 30V, 1A.
- * **Dimensions: (H x W x D)** 160 x 150 x 45 (mm). 6-1/4"H x 6"W x 1-3/4"D
- * **Weight:** 320g (0.71 lbs.) approx.

WARRANTY

Aiphone warrants its products to be free from defects of material and workmanship under normal use and service for a period of one year after delivery to the ultimate user and will repair free of charge or replace at no charge, should it become defective upon which examination shall disclose to be defective and under warranty. Aiphone reserves unto itself the sole right to make the final decision whether there is a defect in materials and/or workmanship; and whether or not the product is within the warranty.

This warranty shall not apply to any Aiphone product which has been subject to misuse, neglect, accident, or to use in violation of instructions furnished, nor extended to units which have been repaired or altered outside of the factory. This warranty does not cover batteries or damage caused by batteries used in connection with the product.

This warranty covers bench repairs only, and any repairs must be made at the shop or place designated in writing by Aiphone.

Aiphone will not be responsible for any costs incurred involving on site service calls.

Aiphone Co., Ltd., Nagoya, Japan
Aiphone Corporation, Bellevue, WA, USA

DE-UR-I(E) 0595E



Printed in Japan (E)