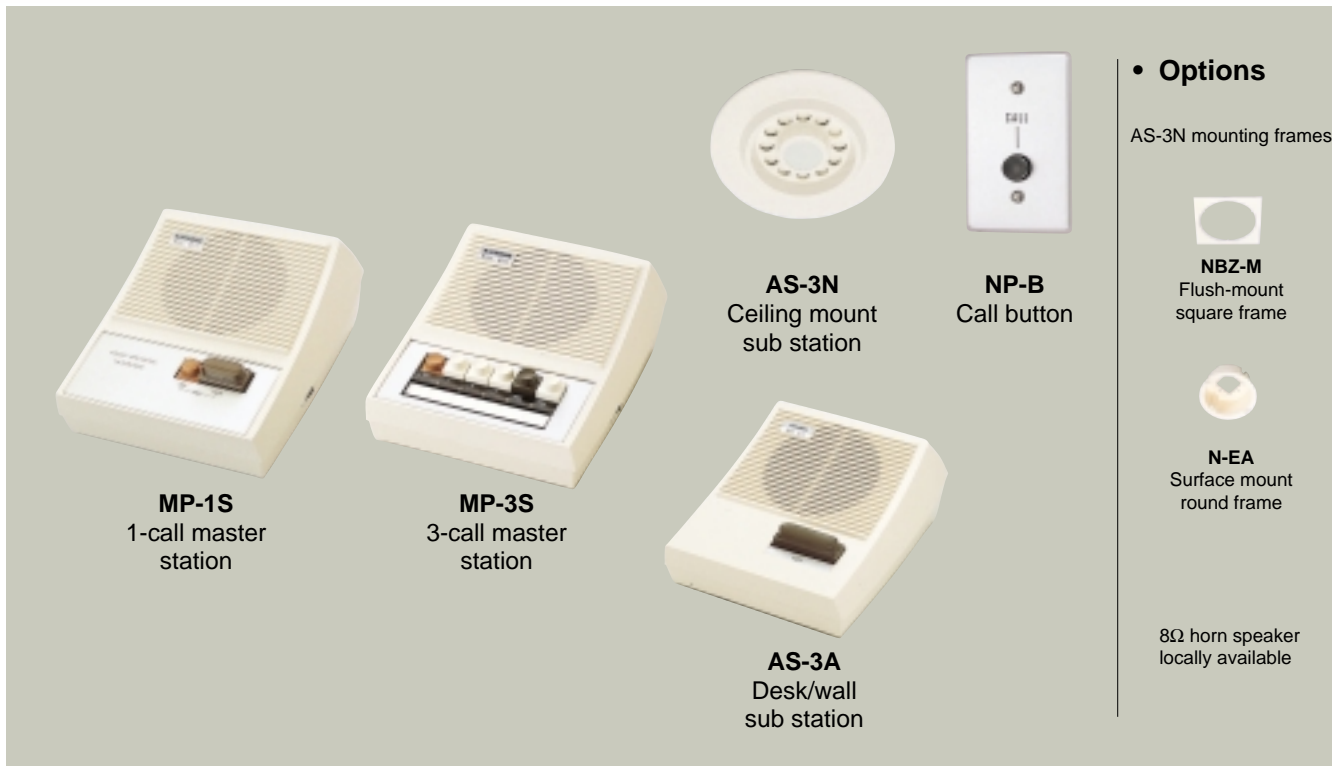


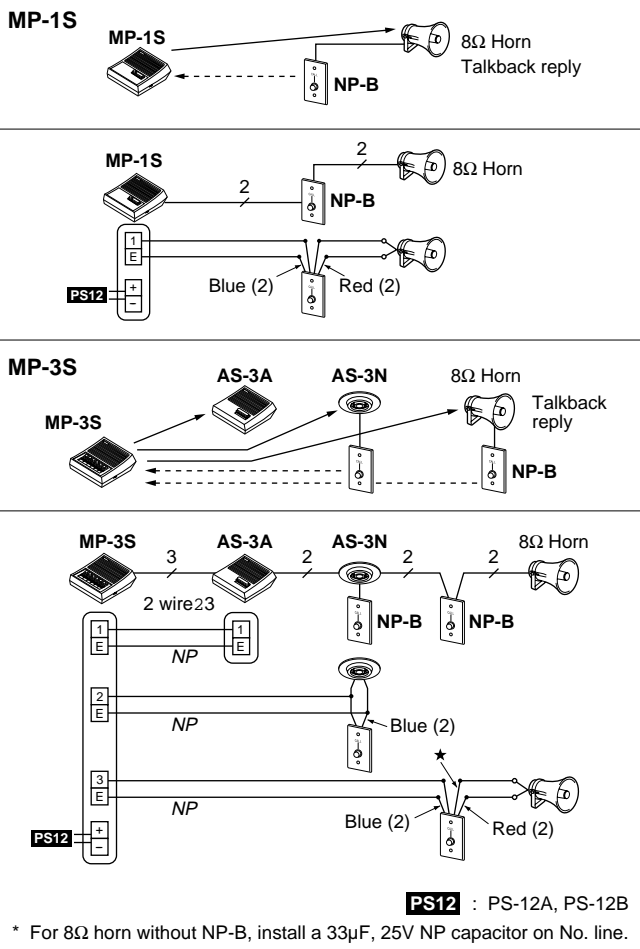
# Mid-Power Intercom

## MASTER 1 → SUB 3 MP-S

- 1 or 3-call mid-power intercom, 2.5W powered.
- Incorporates subs either in console, ceiling mount or 8Ω horn for maximum output.
- Handsfree reply from sub.



### Communication network & wiring

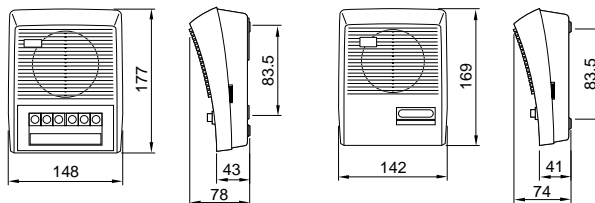


### System components

- MP-1S:** 1-call master
- MP-3S:** 3-call master
- AS-3A:** Sub station, desk/wall
- AS-3N:** Ceiling sub, mounted with or without frame.
- NP-B:** Call button, single-gang mount
- 12V DC power supply:** PS-12A, PS-12B

MP-1S  
MP-3S

AS-3A



### Specifications (MP-S)

Power source	12V DC, 1A.	
Power supply	PS-12A, PS-12B	
Communication	Sub calls in w/tone (& LED 20 sec. on MP-3S). Press sub selector and TALK to transmit, and release to listen.	
Output	2.5W at 1KHz.	
Output impedance	8Ω	
Wiring	2 parallel wires per sub, non-polarized. * Do not make E wires common	
Distance	0.65mmø	0.8mmø
• MP-S to sub	100m	150m